



DESCRIPTION Crown Suspension's imposing, luminous sculptured form shapes the light, creating evocative reflections in the surrounding space. The luster of its amber, smoke grey, or crystal Murano glass trihedrons is enhanced by its burnished brass or matte black nickel metal structure. Available in two configurations, Circular and Elliptical, Crown is also offered in ceiling and wall versions.

| | | |
|-------------------------|----------------------------|--|
| PRODUCTS DETAILS | FUNCTION | SUSPENSION |
| | LOCATION | INTERIOR |
| | LIGHT EMISSION | DIFFUSED LIGHT |
| | LIGHT SOURCE | CROWN SUSPENSION CIRCULAR 30 x 2,7W COB LED 360lm 2700°K 320mA |
| | | CROWN SUSPENSION ELLIPTICAL 24 x 2,7W COB LED 360lm 2700°K 320mA |
| | RATED VOLTAGE | 110 - 120V / 220 - 240V |
| | FREQUENCY | 50 - 60Hz |
| | SUPPLY | TERMINAL BLOCK |
| | WIRING CABLE LENGTH | 250 cm (98"4) |
| | STEEL CABLE LENGTH | 250 cm (98"4) |

DALI or TRIAC dimming kit available upon request.
Flat Canopy available upon request.

CERTIFICATION



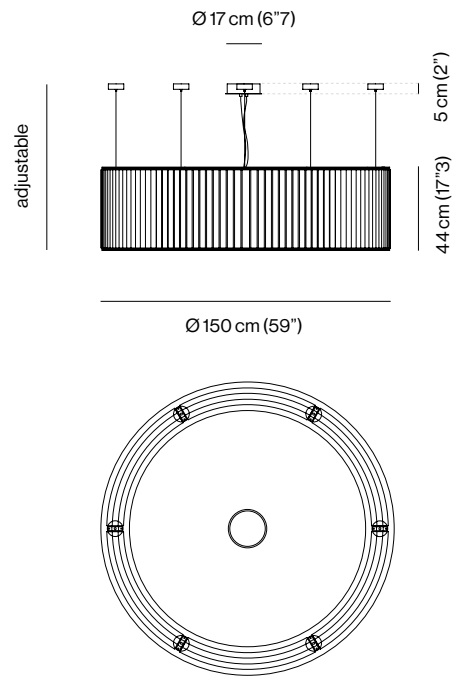
MATERIALS

| | |
|------------------|-----------------------|
| STRUCTURE | |
| M07 | MATTE BLACK NICKEL |
| M11 | LIGHT BURNISHED BRASS |
| GLASS | |
| C-T | CRYSTAL TRIHEDRON |
| G-T | SMOKE GREY TRIHEDRON |
| R-T | AMBER TRIHEDRON |

| PACKAGE | QTY | DIMENSIONS | NET WEIGHT | GROSS WEIGHT | TOTAL VOL. |
|------------------------------------|-----------|--|------------|--------------|---------------------|
| CROWN SUSPENSION CIRCULAR | | | | | |
| | 1 x CRATE | 161 x 161 x H 75 cm (63"4 x 63"4 x H 29"5) | 90 kg | 195 kg | 2,19 m ³ |
| | 4 x BOXES | 41 x 31 x H 49 cm (16"1 x 12"2 x H 19"2) | 16 kg | 19 kg | |
| CROWN SUSPENSION ELLIPTICAL | | | | | |
| | 1 x CRATE | 153 x 79 x H 65 cm (60"2 x 31"1 x H 25"6) | 90 kg | 143 kg | 0,97 m ³ |
| | 3 x BOXES | 41 x 31 x H 49 cm (16"1 x 12"2 x H 19"2) | 16 kg | 19 kg | |

DIMENSIONS

CROWN SUSPENSION CIRCULAR



CROWN SUSPENSION ELLIPTICAL

