



**DESCRIPTION** Optical Suspension 3 features a natural or dark burnished brass structure that supports three glass trihedrons, available in amber, smoke grey or crystal, creating a suspended and lightweight composition. The light source passes through the glass diffusers, radiating a soft light into the environment. Available in two versions: Standard, with a composition based on clean vertical and horizontal alignments and a rectangular canopy; and Canopy Kit, with a dynamic oblique configuration and circular canopy. The Optical collection is also available in floor, table, wall, suspension with one element and floor/suspension versions.

<b>PRODUCTS DETAILS</b>	<b>FUNCTION</b>	SUSPENSION
	<b>LOCATION</b>	INTERIOR
	<b>LIGHT EMISSION</b>	DIFFUSED LIGHT
	<b>LIGHT SOURCE</b>	STRIP LED 11,5W/m 2700°K 2000lm/m CRI 90+ 24Vdc TOT. = 34,5W 6000lm
	<b>ENERGY EFFICIENCY</b>	C
	<b>RATED VOLTAGE</b>	110 - 120 V / 220 - 240 V
	<b>FREQUENCY</b>	50 - 60Hz
	<b>SUPPLY</b>	TERMINAL BLOCK
	<b>BALLAST</b>	BALLAST INCLUDED

DALI or TRIAC dimming kit available upon request.  
 Flat Canopy available upon request.

**CERTIFICATION**



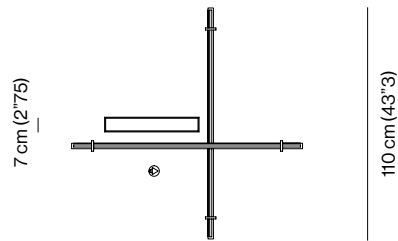
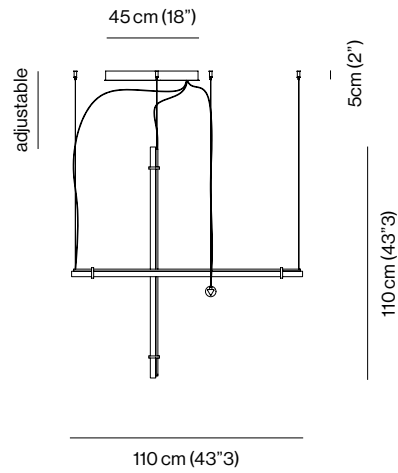
**MATERIALS**

<b>STRUCTURE</b>	
<b>M03</b>	NATURAL BURNISHED BRASS
<b>M12</b>	DARK BURNISHED BRASS
<b>GLASS</b>	
<b>C-T</b>	CRYSTAL TRIHEDRON
<b>G-T</b>	SMOKE GREY TRIHEDRON
<b>R-T</b>	AMBER TRIHEDRON

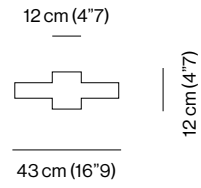
<b>PACKAGE</b>	<b>QTY</b>	<b>DIMENSIONS</b>	<b>NET WEIGHT</b>	<b>GROSS WEIGHT</b>	<b>TOTAL VOL.</b>
	1 × WOODEN CAGE	148 × 60 × H 42 cm (58"3 × 23"6 × H 16"5)	15 kg	35 kg	0,37 m <sup>3</sup>

DIMENSIONS

STANDARD



NORTH AMERICAN WALL PLATE



CANOPY KIT

