

FLOS

F6604009 Matte White

Taccia Small

Designed by Achille and Pier Giacomo Castiglioni, 1962

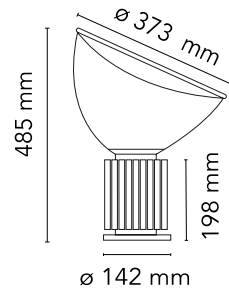


16W - 2700K

Table lamp providing indirect and reflected light. Reflector in painted aluminium, gloss white on the outside and matt white on the inside. Directionable diffuser in transparent blown glass. Body in matt black, white or naturally anodized extruded aluminium. Base in nickel-plated ABS+PC. Electric cable of useful length 190 cm, with dimmer switch for ON/OFF and adjustment of the light flow between 10-100%. Plug-in power supply with interchangeable plugs.

Are you a professional and your project needs consulting and support?

BOOK AN APPOINTMENT



Main specifications

| | |
|-------------------|---------------------|
| EAN | 8059607058947 |
| Mounting | Table floor |
| Environments | Indoor dry location |
| Light Source Type | LED |
| LED type | LED array |
| Power (W) | 16 |

Physical

| | |
|---------------------|-------------|
| Colour | Matte White |
| Length (mm) | 142 |
| Cord length (mm) | 1900 |
| Net weight (kg) | 4.25 |
| Package volume (m3) | 0.11 |
| IP internal | 20 |

Download

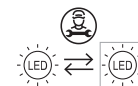
| | |
|-----------------------|-----|
| Mounting instructions | PDF |
| Mounting instructions | PDF |
| Spare Parts | PDF |



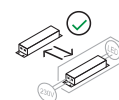
| |
|----|
| IP |
| 20 |

Ecodesign and Energy Labelling

This product contains a light source of energy efficiency class D



Replaceable (LED only) light source by a professional



Replaceable control gear by an end-user

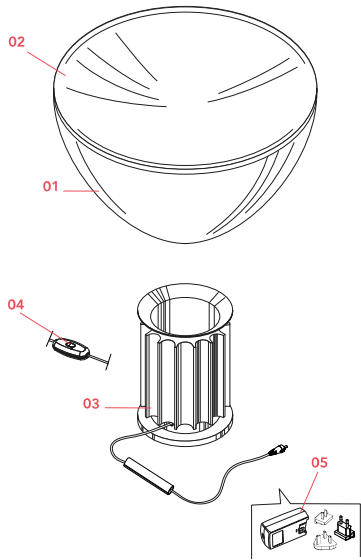
Photometric

| | |
|--------------------|------------|
| Lighting type | Indirect |
| Light distribution | Asymmetric |
| CCT (K) | 2700 |

Electrical

| | |
|----------------------|------------------------|
| Insulation class | III |
| Frequency (Hz) | 50/60 |
| Main voltage (Vac) | 100-240/24 |
| LED voltage Vf (Vdc) | null |
| Driver | Remote included |
| Dimming type | Electronic 24V |
| Plug type | Type G, Type A, Type C |
| Batteries inside | No |

Spare Parts



DOWNLOAD