

BENTLEY HOME
living / coffee tables
THAMES



BENTLEY

HOME



BENTLEY HOME

living / coffee tables

THAMES



BENTLEY

HOME

DESCRIZIONE TECNICA / TECHNICAL DESCRIPTION

GAMBE Legno rivestito con Paper Factor®, composto di micro-fibre di carta/cellulosa, colore Veins Black Grey oppure Veins Burgundy
Versione alternativa in legno impiallacciato Warm Grey Fiddleback Sycamore, Smoked Liquidambar, radica Burr Walnut, finitura lucida spazzolata

TOP Legno rivestito con Paper Factor®, composto di micro-fibre di carta/cellulosa, colore Veins Black Grey oppure Veins Burgundy
Versione alternativa in legno impiallacciato Warm Grey Fiddleback Sycamore, Smoked Liquidambar o radica Burr Walnut, con speciale laccatura effetto Degradé Lacquer, finitura lucida spazzolata (data di consegna indicata sulla conferma d'ordine)

OPTIONAL Top aggiuntivo in legno laccato lucido spazzolato, per composizione a tre top

Top laccato burgundy, abbinabile a:

-due coffee table con top Paper Factor® colore Veins Burgundy

Top laccato nero, abbinabile a:

-due coffee table con top Paper Factor® colore Veins Black Grey

-due coffee table con top impiallacciato Smoked Liquidambar oppure Burr Walnut con speciale laccatura effetto Degradé Lacquer

Top laccato Deep Ocean, abbinabile a:

-due coffee table con top impiallacciato Warm Grey Fiddleback Sycamore con speciale laccatura effetto Degradé Lacquer



LEGS Wood covered with Paper Factor®, made from a paper micro cellulose compound, Veins Black Grey or Veins Burgundy colour

Alternative version in wood veneered Warm Grey Fiddleback Sycamore, Smoked Liquidambar or Burr Walnut briar-root, glossy brushed finishing

TOP Wood covered with Paper Factor®, made from a paper micro cellulose compound, Veins Black Grey or Veins Burgundy colour

Alternative version in wood veneered Warm Grey Fiddleback Sycamore, Smoked Liquidambar or Burr Walnut briar-root with special lacquering Degradé Lacquer effect, glossy brushed finishing (delivery date indicated on the confirmation of the order)

OPTIONAL Additional wooden top with glossy brushed lacquering, for three tops composition

Burgundy lacquered top, can be combined with:

-two coffee tables with Paper Factor® top, colour Veins Burgundy

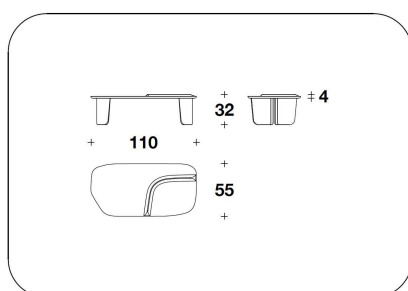
Black lacquered top, can be combined with:

- two coffee tables with Paper Factor® top, colour Veins Black Grey

- two coffee tables with Smoked Liquidambar or Burr Walnut veneered top and special lacquering Degradé Lacquer effect

Deep Ocean lacquered top, can be combined with:

-two coffee tables with Warm Grey Fiddleback Sycamore veneered top and special lacquering Degradé Lacquer effect

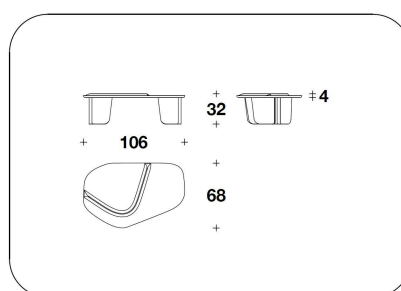


CTB (39E) - CTB (39CA)

COFFEE TABLE

110x55x32H.cm

43 1/3x21 2/3x12 2/4H."

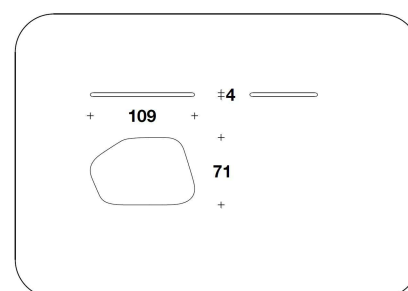


CTB (40E) - CTB (40CA)

COFFEE TABLE

106x68x32H.cm

41 2/3x26 2/3x12 2/4H."



CTB (41L)

OPTIONAL TOP

109x71x4H.cm

43x28x1 9/16H."

Note

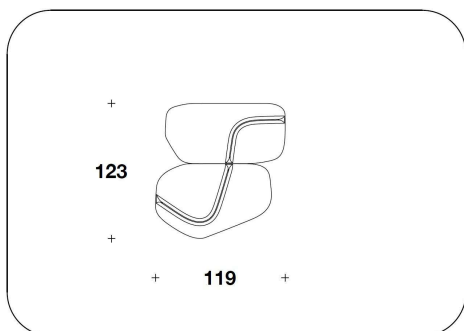
EXAMPLE OF COMPOSITIONS

BENTLEY HOME
living / coffee tables
THAMES

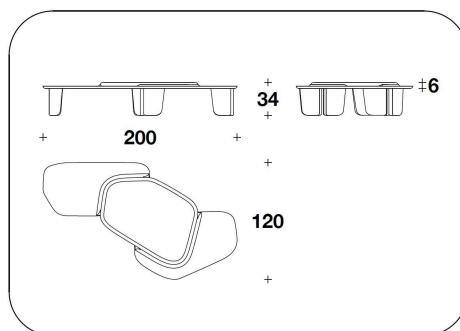


BENTLEY

HOME



CTB (39CA) + CTB (40CA)



CTB (40E) + CTB (39E) + CTB (41L)